

## LED-FLAT 12 LUX

white/black | 6 W | 300 lm

Product code: 65224S2



### An extremely low furniture light fixture

LIMENTE LED-FLAT 12 LUX is the lowest light fixture on the market. The body of the fixture is extremely thin (only 8,8mm) creating a stylish and complete look without any heavy machining to the surface of installation. Under a cabinet or a shelf, LIMENTE LED-FLAT LUX appears recessed. LED-FLAT LUX provides a wide-spread and even light on the illuminated surface, so no unpleasant shadows or dark sections are generated. LIMENTE LED-FLAT LUX fixtures suit well both residential and commercial spaces and any other space, where modern and even led-lighting is desired. Both fixtures have great luminosity and are excellent both as working and mood lights!

### Dimming and lighting control

Appropriate lighting for any occasion is made easy with our dimming and lighting control system. You can easily change the lighting and ambience in your home from efficient and bright to dim and cosy by dimming your LIMENTE LED-FLAT 12 LUX with our wireless system. You can use the same switch to adjust all the LIMENTE lights in the room, including various ceiling, panel and profile lights. The light adjusts smoothly at the same time while creating ambience for working, entertaining or any mood in between. LIMENTE LED-FLAT 12LUX is dimmable either with LIMENTE SMART 350 dimmer (no. 640351) and a wireless wall switch (no. 640352) or with LIMENTE SMART 400 24V dimmer (no. 640420) and wireless wall switches (no. 640411, 640421 and 640422, 640424, 640425). LIMENTE SMART 425 is a remote control, which you can use to adjust lighting in your home but also to save two different preset lighting settings to change the mood with just a click of a button! The dimmer is installed between the power supply and the fixture. The dimmer includes a similar manifold to the one included in the power supply. You can connect up to 6 LIMENTE lights to one dimmer, as long as the maximum load (W) of the power supply is not exceeded.

### Easy installation

LIMENTE LED-FLAT 12 LUX is quick and easy to install. Attach the fixture by its corners in place with the screws included in delivery. The power supply cable is put in place (e.g. hidden behind a cabinet) so that the male connector comes close to the power supply and the female connector comes near the LED-FLAT 12 LUX fixture. The fixtures can be installed up to 50-70cm apart. There is a 5cm + 300cm long power cord at the end of LED-FLAT 12 LUX. An extension cord (3m, no. 681588) can be ordered, in case a longer power cord is needed. Extension cords can be fitted with a maximum on 1 pcs of fixtures, with a maximum cord length of up to 6m. Please note the adequate length of the cord and the maximum load (W) of the power supply. All electrical connections are done with quick connectors.



### THE FOLLOWING ITEMS ARE INCLUDED

- 2 x spotlight, 3 m power cord with TOP connector
- changeable frame: black/white
- 10 cm cable tray
- fasteners
- driver
- plastic free packaging

## LED-FLAT 12 LUX

## OVERVIEW

PRODUCT CODE	65224S2
GTIN-CODE	6438400004047
ELECTRICAL NUMBER	4139860
GENERAL NAME AND PRODUCT FAMILY	Kalustevalaisin
ETIM CLASS	Alasvalo EC001744
ETIM GROUP	41 Sisävalaisimet
COLOUR	White
LAMP TYPE	LED

## SPECIFICATIONS

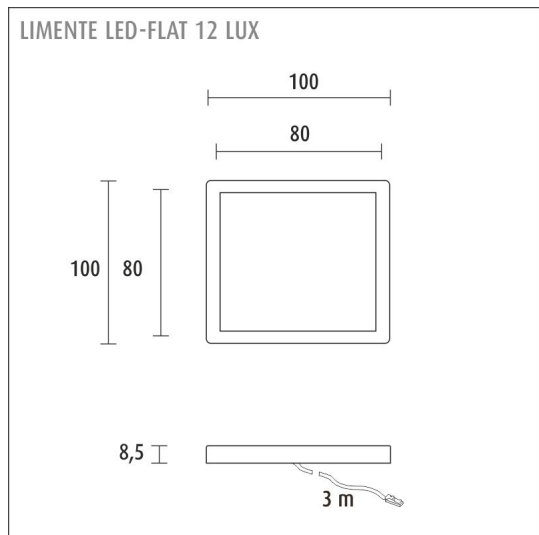
PRODUCT DIMENSIONS	100.0 x 100.0 x 8.8
POSITION	To an interspace, To the vitrine, Inside the cabin
MOUNTING METHOD	Surface mounting
COLOUR TEMPERATURE	4000 K
COLOUR RENDERING INDEX CRI	> 90
RATED LIFE TIME	35.000h (L80B10)
ENERGY EFFICIENCY CLASS	A+
LUMINOUS FLUX	600 lm
EFFICIENCY	50 lm/W
VOLTAGE	24 V DC
INGRESS PROTECTION CODE	IP20
NUMBER OF LEDS/M	
INPUT POWER	2 x 6 W
NUMBER OF SWITCHING CYCLES	> 50 000
AMBIENT TEMPERATURE RANGE	-20°C~40°C
INPUT POWER CONNECTOR	
WARRANTY PERIOD (MONTHS)	24
ADDITIONAL COVER (MONTHS)	36
INSTALLATION AND OPERATING MANUAL	<a href="https://www.limente.fi/Images/productpics/instructions/limente_led-flat-lux.pdf">https://www.limente.fi/Images/productpics/instructions/limente_led-flat-lux.pdf</a>

## LED-FLAT 12 LUX

## RECOMMENDED ACCESSORIES

PRODUCT CODE	PRODUCT
640451	SMART 451 (420 + 421), WIRELESS LIGHTING CONTROL KIT, 24 V
640420	SMART 420, WIRELESS LIGHT CONTROL
640421	SMART 421, WIRELESS LIGHT CONTROL
640422	SMART 422, WIRELESS LIGHT CONTROL
640424	SMART 422, WIRELESS LIGHT CONTROL
640350	SMART 350 SET, WIRELESS LIGHT CONTROL, REMOTE CONTROL
640351	SMART 351, WIRELESS LIGHT CONTROL
640352	SMART 352, WIRELESS LIGHT CONTROL
640425	SMART 425, WIRELESS LIGHT CONTROL

## LED-FLAT 12 LUX



## LED-FLAT 12 LUX

